

MPC*1M414A-2

PRODUCT SPECIFICATIONS

14 SEER ELECTRIC/ELECTRIC
PACKAGED UNIT

FORM NO. MPC*1M414A-2 (01/2021)

REFRIGERANT SYSTEM

- Environmentally friendly R410A refrigerant
- Copper tubing with enhanced fin coils
- Internal service gauge ports
- Sleeved distributor tubes
- Antimicrobial insulated drain pan
- High and Low Threaded pressure switches for system protection

CABINET CONSTRUCTION

- Heavy-gauge galvanized steel base rails with rigging holes
- Rounded corners for safety and an attractive, clean appearance
- One piece base design for strength and stability
- Condensate and coil runoff drains to the perimeter of the unit
- Horizontal and downflow duct openings are flanged to minimize water entry
- Low profile, with compact footprint
- Insulation to minimize heat loss plus reduce sound
- Textured pre-painted steel cabinet finish
- Superior service access to components
- Louvered coil guard protection
- One piece “no leak” top design

BLOWER

- Insulated compartment to reduce sound
- Efficient constant torque motor for wide airflow range
- Slide out blower housing for easy service

INSTALLATION

- Horizontal or down discharge capable
- Horizontal and downflow duct covers provided with unit for installation flexibility
- Drain pan float switch monitors condensate level in drain pan and shuts down unit if drain becomes clogged
- Utility connections on “right side”
- Kits enable bottom gas and power entry through base pan

ACCESSORIES

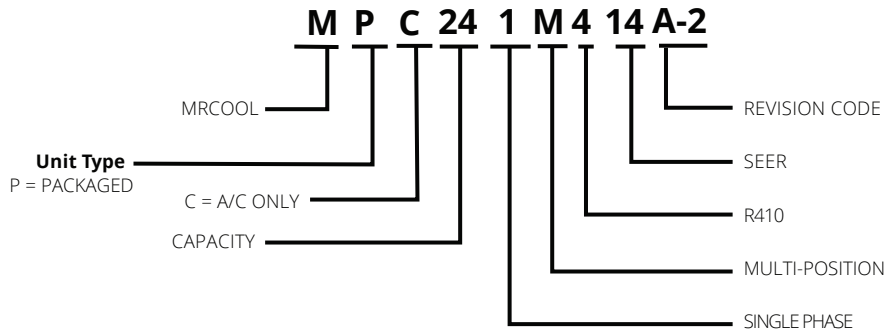
- Electric heat kit

WARRANTY

10 year limited parts and compressor warranty. See limited warranty document for details.



MODEL NUMBER GUIDE



ELECTRICAL AND PHYSICAL DATA

Model	Voltage	Phase	Hz	Min Volts @ 60 hz	MCA	Max Fuse/HACR Breaker	Compressor		Condenser Motor		Blower Motor		Refrig. Charge (oz.)	Weight (lbs.)
							RLA	LRA	RLA	HP	RLA	HP		
MPC241M414A-2	208-230	1	60	197	14.4	20	8.6	43.5	1.0	1/6	2.8	1/3	72	367
MPC301M414A-2					18.2	25	10.6	47			4.1	1/2	80	379
MPC361M414A-2					22.7	35	15.7	72.2			4.1	1/2	87	387
MPC421M414A-2					27.5	40	15.9	112.3	1.7	1/4	6	3/4	108	460
MPC481M414A-2					28.7	45	16.9	94			6	3/4	115	461
MPC601M414A-2					38.9	60	26.4	152.5			7.6	1	125	503

PERFORMANCE

Model	Cooling					Sound dBA
	Rated AHRI Capacity Btuh	SEER	EER	Rated Sensible Capacity Btuh	CFM	
MPC241M414A-2	22,600	14.0	11.0	17,400	800	77
MPC301M414A-2	28,400			21,900	1000	79
MPC361M414A-2	34,000			26,100	1200	78
MPC421M414A-2	40,000			30,800	1400	
MPC248M414A-2	45,500			35,000	1600	77
MPC260M414A-2	57,000			41,600	1800	78

*Certified in accordance with Unitary Air Conditioner Certification Program, which is based on AHRI Standard 210/240

BLOWER PERFORMANCE

Model	Blower Tap	CFM @ ext. Static Pressure in in. wc without filter, dry coil									
		0.1	0.2	0.3	0.4	0.5	0.6	0.7	0.8	0.9	1.0
MPC241M414A-2	TAP 1	610	560	525	485	430	0	0	0	0	0
	TAP 2	820	795	760	720	690	650	615	575	540	470
	TAP 3	950	920	880	850	820	800	760	720	680	625
MPC301M414A-2	TAP 1	850	820	780	745	710	680	630	590	550	515
	TAP 2	1040	1000	970	935	900	875	845	815	770	735
	TAP 3	1175	1145	1115	1080	1050	1015	990	945	900	860
MPC361M414A-2	TAP 1	850	800	750	700	645	600	550	480	435	0
	TAP 2	1245	1210	1175	1140	1100	1065	1025	975	920	845
	TAP 3	1400	1370	1335	1300	1265	1220	1180	1150	1060	875
MPC421M414A-2	TAP 1	800	720	640	550	475	390	310	0	0	0
	TAP 2	1470	1410	1360	1300	1260	1210	1155	1095	1000	940
	TAP 3	1700	1650	1610	1575	1540	1480	1430	1390	1340	1210
MPC481M414A-2	TAP 1	1145	1075	1000	930	850	790	740	670	570	490
	TAP 2	1675	1630	1600	1540	1490	1440	1390	1300	1230	1125
	TAP 3	1800	1770	1715	1690	1640	1610	1565	1500	1460	1380
MPC601M414A-2	TAP 1	1400	1320	1260	1200	1120	1060	980	900	N/A	N/A
	TAP 2	1920	1870	1820	1770	1720	1670	1450	1360	N/A	N/A
	TAP 3	2235	2195	2165	2130	2090	2060	2025	1985	1960	1940

COOLING PERFORMANCE - EXTENDED RATINGS

Outdoor Model	Indoor Temp DB/ WB °F	Outdoor Temperature - DB °F														
		65°			82° / 67 °			95° / 75 °			105° / 85 °			115° / 95°		
		Btuh	S/T	kW	Btuh	S/T	kW	Btuh	S/T	kW	Btuh	S/T	kW	Btuh	S/T	kW
MPC241M414A-2	85 / 72	30,600	0.65	1.33	27,700	0.68	1.65	24,700	0.70	1.88	23,100	0.72	2.06	22,500	0.75	2.26
	80 / 67	27,900	0.71	1.35	25,500	0.74	1.65	22,600	0.77	1.88	21,200	0.79	2.06	20,700	0.82	2.25
	75 / 63	26,000	0.74	1.36	23,800	0.77	1.65	21,000	0.79	1.87	20,700	0.82	2.05	19,300	0.84	2.23
	75 / 57	23,800	1	1.39	22,100	1	1.64	20,700	1	1.87	19,600	1	2.04	18,500	1.00	2.22
MPC301M414A-2	85 / 72	38,200	0.68	1.83	34,700	0.71	2.16	32,000	0.74	2.42	30,500	0.74	2.6	29,000	0.78	2.86
	80 / 67	35,200	0.75	1.76	32,300	0.78	2.11	28,400	0.75	2.34	28,100	0.84	2.57	25,100	0.8	2.74
	75 / 63	33,000	0.77	1.71	30,400	0.8	2.06	27,700	0.8	2.31	25,900	0.82	2.51	24,100	0.84	2.72
	75 / 57	29,900	1	1.66	28,300	1	2.01	26,600	1	2.29	25,200	1	2.49	23,700	1	2.7
MPC361M414A-2	85 / 72	45,800	0.68	2.09	41,700	0.72	2.49	37,600	0.73	2.82	35,400	0.74	3.1	32,400	0.75	3.39
	80 / 67	40,800	0.75	2.1	38,500	0.75	2.51	34,400	0.79	2.81	33,200	0.84	3.09	30,500	0.85	3.38
	75 / 63	38,100	0.76	2.11	36,000	0.77	2.51	32,300	0.81	2.80	30,500	0.84	3.08	28,400	0.87	3.37
	75 / 57	35,200	1	2.14	33,600	1	2.5	30,700	1	2.80	29,200	1	3.07	27,400	1	3.36
MPC421M414A-2	85 / 72	54,500	0.67	2.51	48,900	0.71	2.9	45,700	0.73	3.28	44,200	0.74	3.64	42,800	0.75	4.08
	80 / 67	50,100	0.74	2.52	45,100	0.78	2.91	40,000	0.77	3.28	38,400	0.79	3.64	35,700	0.8	4.05
	75 / 63	46,800	0.76	2.52	42,700	0.8	2.91	38,800	0.81	3.29	36,300	0.82	3.65	33,500	0.83	4.06
	75 / 57	42,500	1	2.53	39,700	1	2.93	37,100	1	3.3	35,100	1	3.66	33,100	1	4.07
MPC481M414A-2	85 / 72	59,400	0.69	2.78	53,900	0.72	3.29	49,700	0.72	3.6	47,100	0.75	4.09	43,600	0.75	4.48
	80 / 67	54,600	0.75	2.8	49,900	0.77	3.3	46,000	0.80	3.71	42,900	0.8	4.07	40,000	0.81	4.47
	75 / 63	50,700	0.76	2.82	46,700	0.79	3.3	43,300	0.82	3.7	40,400	0.82	4.06	38,100	0.86	4.47
	75 / 57	47,200	1	2.83	43,800	1	3.29	41,000	1	3.7	39,000	1	4.06	36,900	1	4.47
MPC601M414A-2	85 / 72	70,300	0.63	3.5	66,100	0.64	4.19	62,800	0.65	4.72	59,200	0.7	5.27	55,500	0.76	5.82
	80 / 67	65,700	0.69	3.47	61,000	0.71	4.08	57,400	0.73	4.69	54,300	0.78	5.24	51,200	0.83	5.78
	75 / 63	61,400	0.72	3.45	56,300	0.74	4.12	52,300	0.76	4.63	50,200	0.8	5.19	48,000	0.85	5.75
	75 / 57	54,500	1	3.42	50,100	1	4.09	50,100	1	4.09	46,700	1	5.17	45,900	1	5.73

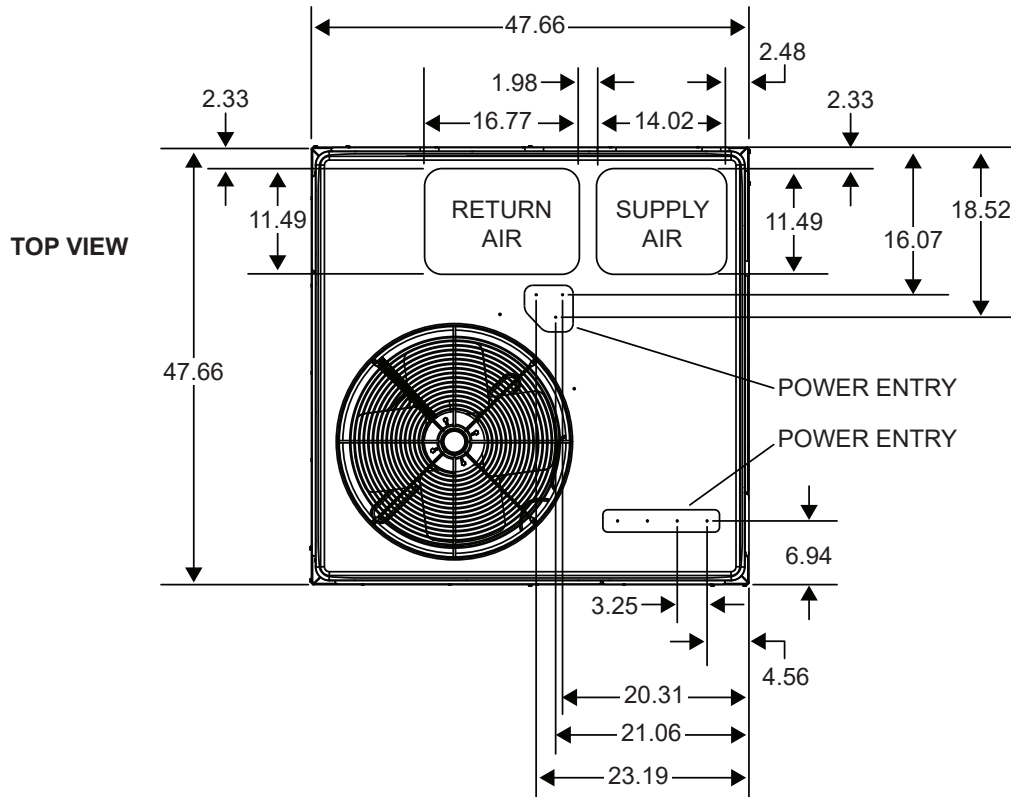
ELECTRIC HEAT KIT

Model	Heater Model	Unit Supply Voltage Single Phase	Input kW 240V	Circuit 1 240V		Circuit 2 240V		Single Circuit 240V	
				Ampacity	Breaker	Ampacity	Breaker	Ampacity	Breaker
MPC241M414A-2	MHK05P	240	5	29.5	30	-	-	29.5	30
		208	3.8	26.1	30	-	-	26.1	30
	MHK07P	240	7.5	42.6	45	-	-	42.6	45
		208	5.6	37.4	40	-	-	37.4	40
	MHK10P	240	10	55.6	60	-	-	55.6	60
		208	7.5	48.6	50	-	-	48.6	50
	MHK15P	240	15	-	-	-	-	-	-
		208	11.3	-	-	-	-	-	-
MHK20P	240	20	-	-	-	-	-	-	
	208	15	-	-	-	-	-	-	
MPC301M414A-2	MHK05P	240	5	31.2	35	-	-	31.2	35
		208	3.8	27.7	30	-	-	27.7	30
	MHK07P	240	7.5	44.2	45	-	-	44.2	45
		208	5.6	39.0	40	-	-	39.0	40
	MHK10P	240	10	57.2	60	-	-	57.2	60
		208	7.5	50.3	60	-	-	50.3	60
	MHK15P	240	15	57.2	60	26.0	30	83.3	90
		208	11.3	50.3	60	22.6	25	72.8	80
MHK20P	240	20	-	-	-	-	-	-	
	208	15	-	-	-	-	-	-	
MPC361M414A-2	MHK05P	240	5	31.2	35	-	-	31.2	35
		208	3.8	27.7	30	-	-	27.7	35
	MHK07P	240	7.5	44.2	45	-	-	44.2	45
		208	5.6	39.0	40	-	-	39.0	40
	MHK10P	240	10	57.2	60	-	-	57.2	60
		208	7.5	50.3	60	-	-	50.3	60
	MHK15P	240	15	57.2	60	26.0	30	83.3	90
		208	11.3	50.3	60	22.6	25	72.8	80
MHK20P	240	20	-	-	-	-	-	-	
	208	15	-	-	-	-	-	-	
MPC421M414A-2	MHK05P	240	5	33.5	35	-	-	33.5	40
		208	3.8	30.1	35	-	-	30.1	40
	MHK07P	240	7.5	46.6	50	-	-	46.6	50
		208	5.6	41.4	45	-	-	41.4	45
	MHK10P	240	10	59.6	60			59.6	60
		208	7.5	52.6	60			52.6	60
	MHK15P	240	15	59.6	60	26.0	30	85.6	90
		208	11.3	52.6	60	22.6	25	75.2	80
MHK20P	240	20	59.6	60	52.1	60	111.7	125	
	208	15	52.6	60	45.1	50	97.8	100	

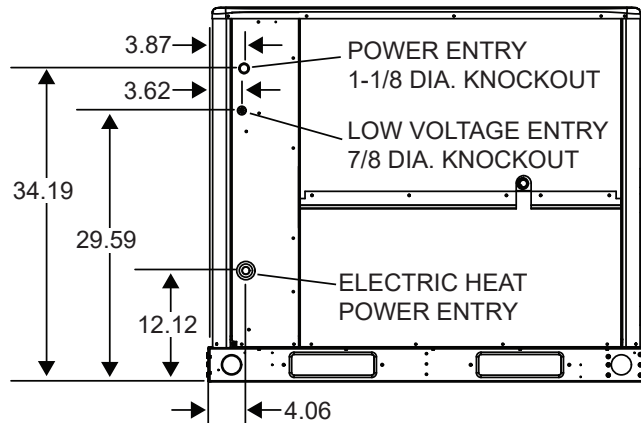
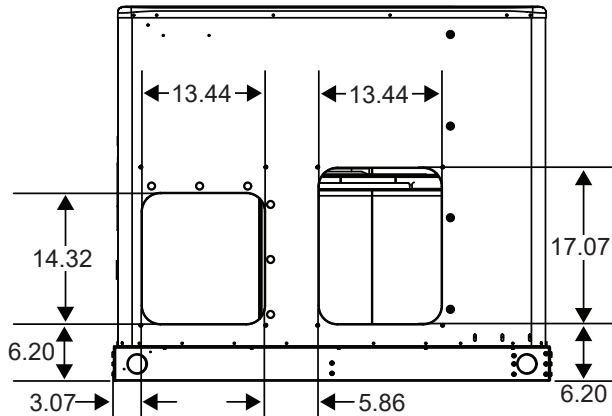
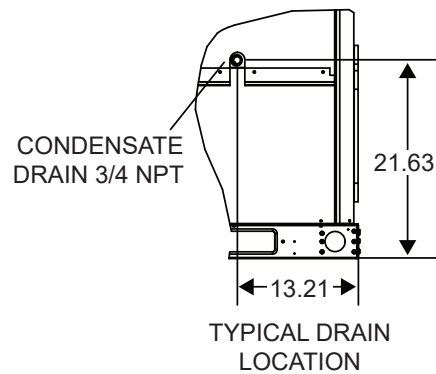
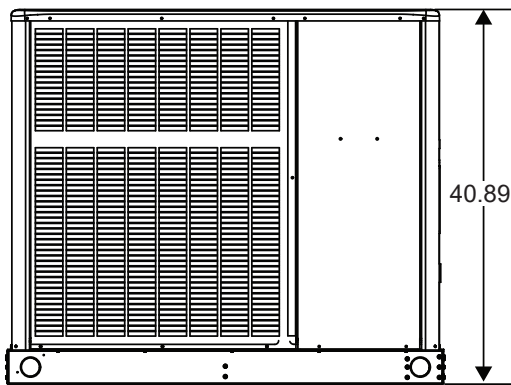
ELECTRIC HEAT KIT

Model	Heater	Unit Supply Voltage Single Phase	Input kW 240V	Circuit 1 240V		Circuit 2 240V		Single Circuit 240V	
				Ampacity	Breaker	Ampacity	Breaker	Ampacity	Breaker
MPC481M414A-2	MHK05P	240	5	33.5	35			33.5	45
		208	3.8	30.1	35			30.1	45
	MHK07P	240	7.5	46.6	50			46.6	50
		208	5.6	41.4	45			41.4	45
	MHK10P	240	10	59.6	60			59.6	60
		208	7.5	52.6	60			52.6	60
	MHK15P	240	15	59.6	60	26	30	85.6	90
		208	11.3	52.6	60	22.6	25	75.2	80
MHK20P	240	20	59.6	60	52.1	60	111.7	125	
	208	15	52.6	60	45.1	50	97.8	100	
MPC601M414A-2	MHK05P	240	5	35.5	40	-	-	38.9	60
		208	3.8	32.1	35	-	-	38.9	60
	MHK07P	240	7.5	48.6	50	-	-	48.6	60
		208	5.6	43.4	45	-	-	43.4	60
	MHK10P	240	10	61.6	70	-	-	61.6	70
		208	7.5	54.6	60	-	-	54.6	60
	MHK15P	240	15	61.6	70	26	30	87.6	90
		208	11.3	54.6	60	22.6	25	77.2	80
MHK20P	240	20	61.6	70	52.1	60	113.7	125	
	208	15	54.6	60	45.1	50	99.8	100	

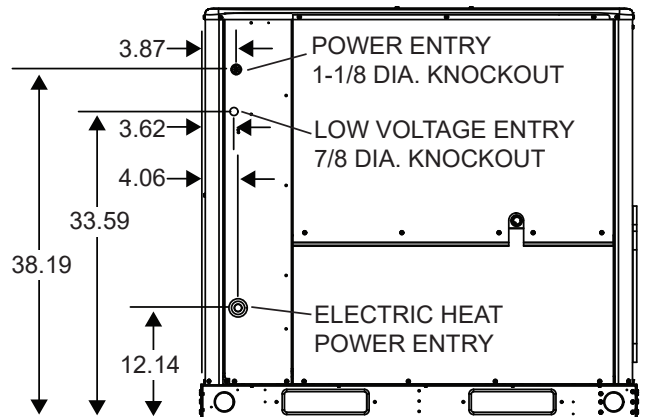
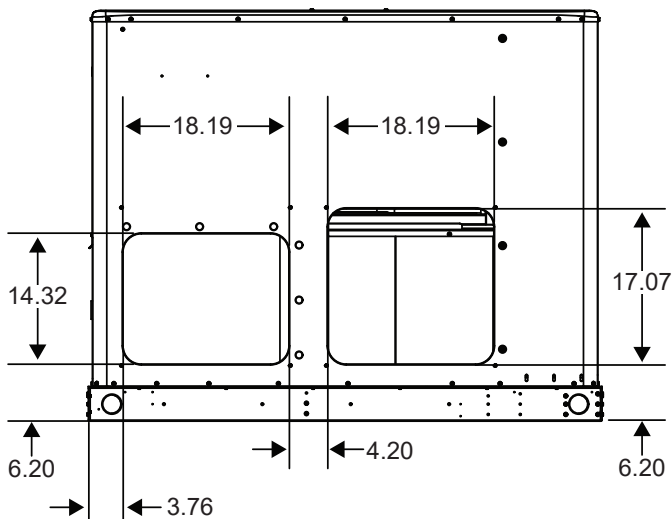
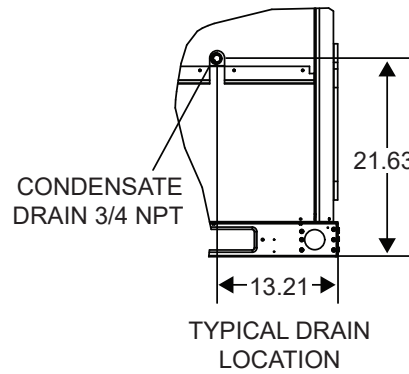
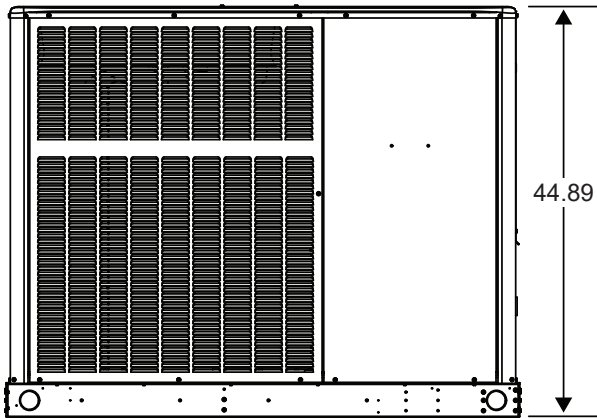
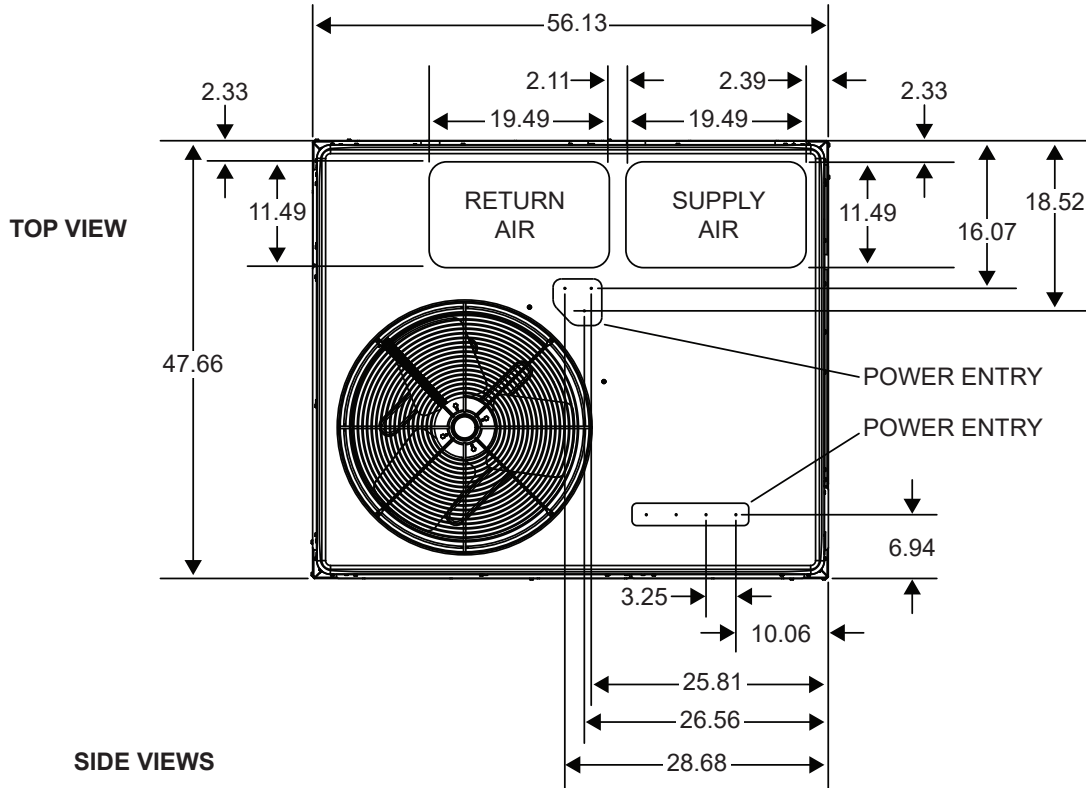
DIMENSIONS (IN.) - SMALL BASE



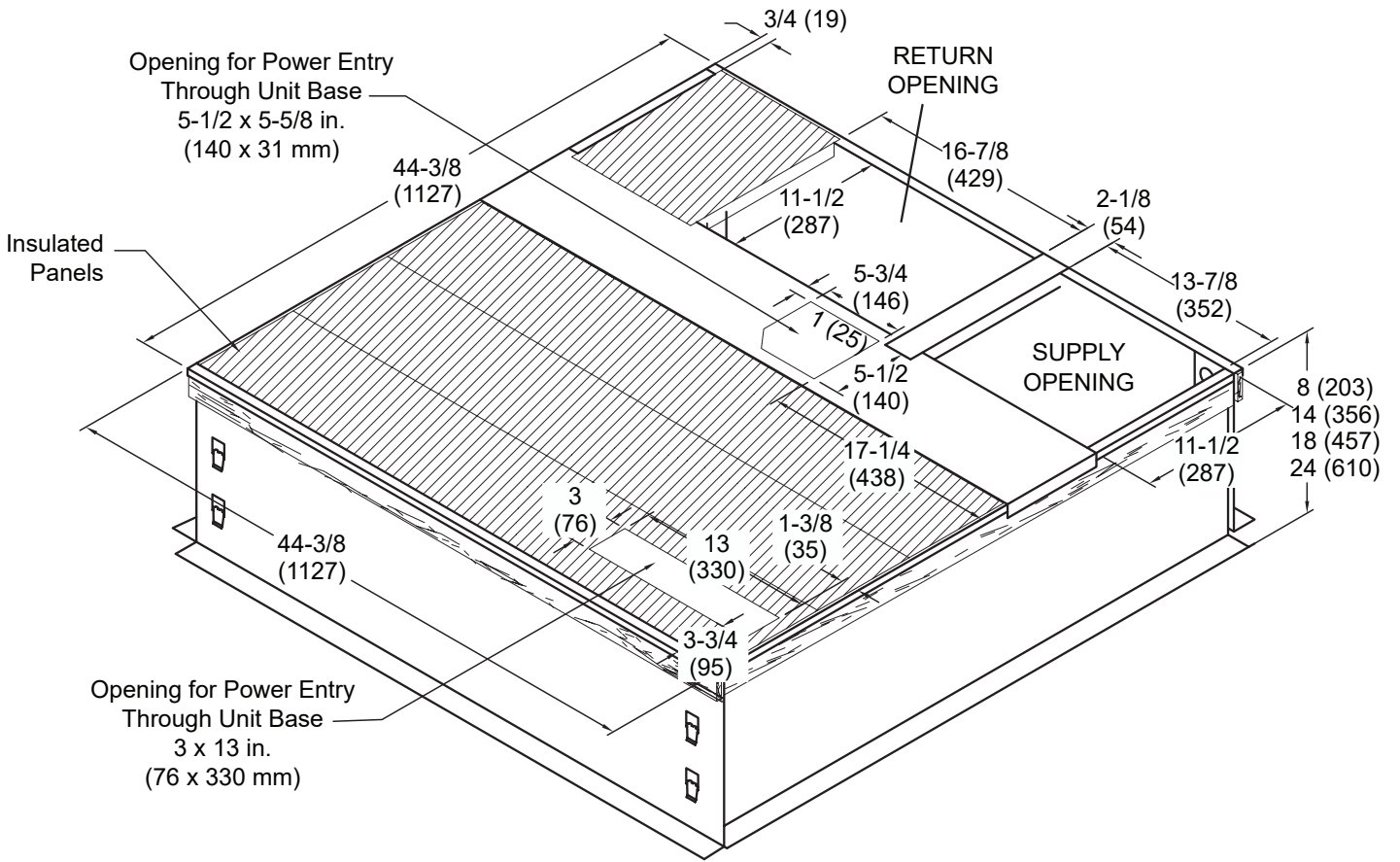
SIDE VIEWS



DIMENSIONS (IN.) - LARGE BASE

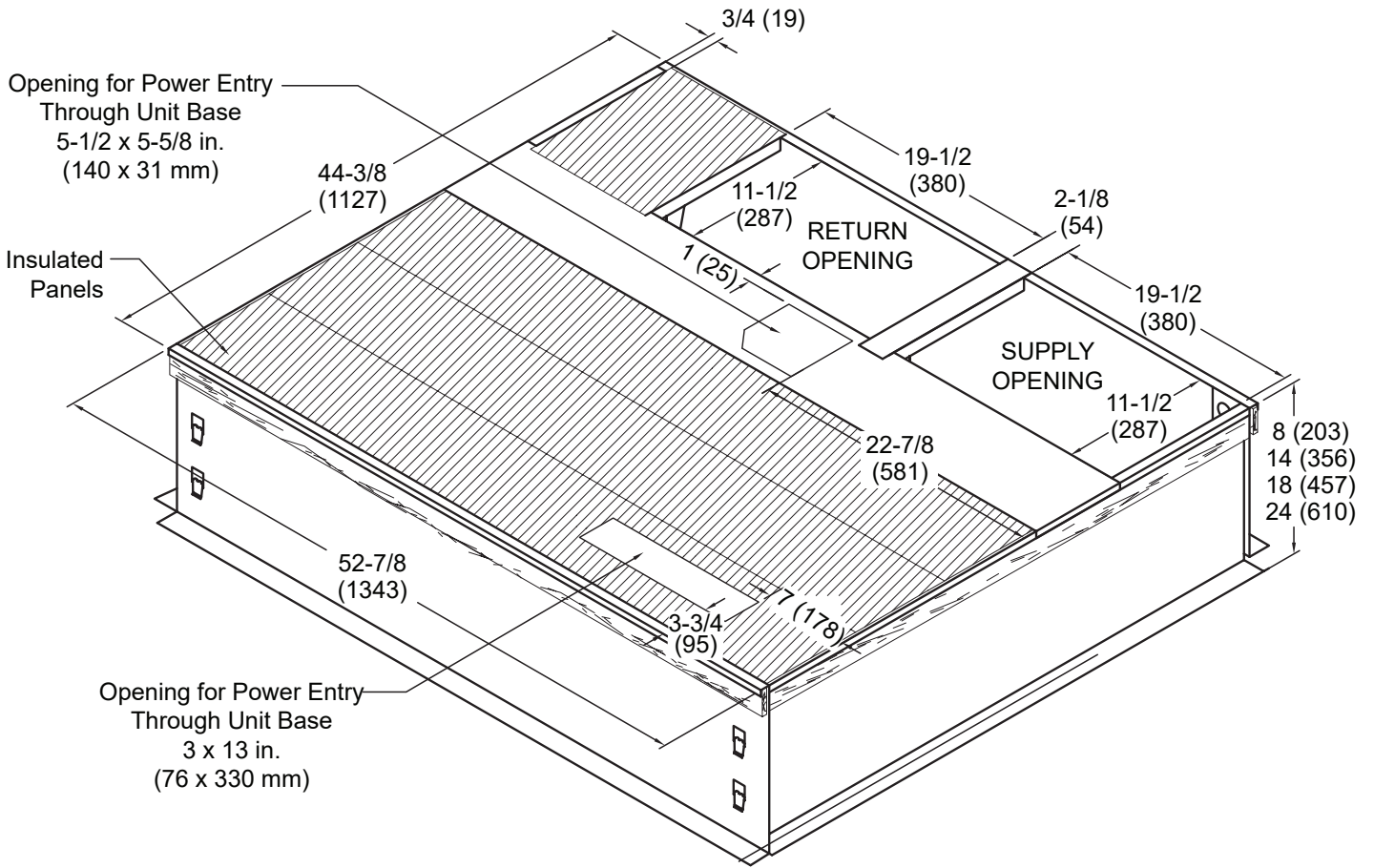


ROOF CURB DIMENSIONS - SMALL BASE



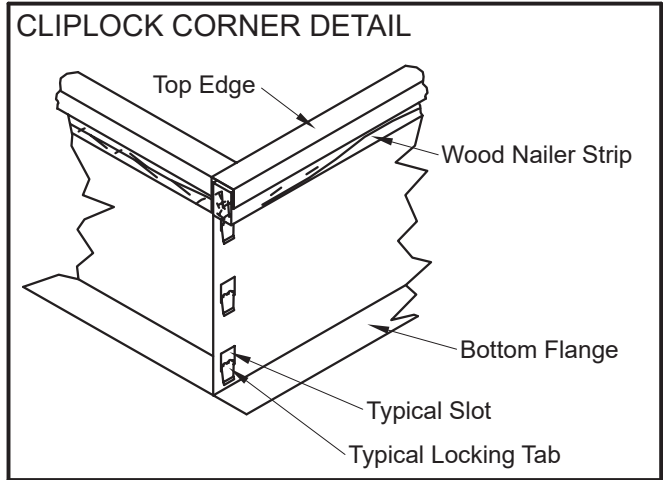
NOTE - Roof deck may be omitted within confines of curb.

ROOF CURB DIMENSIONS - LARGE BASE

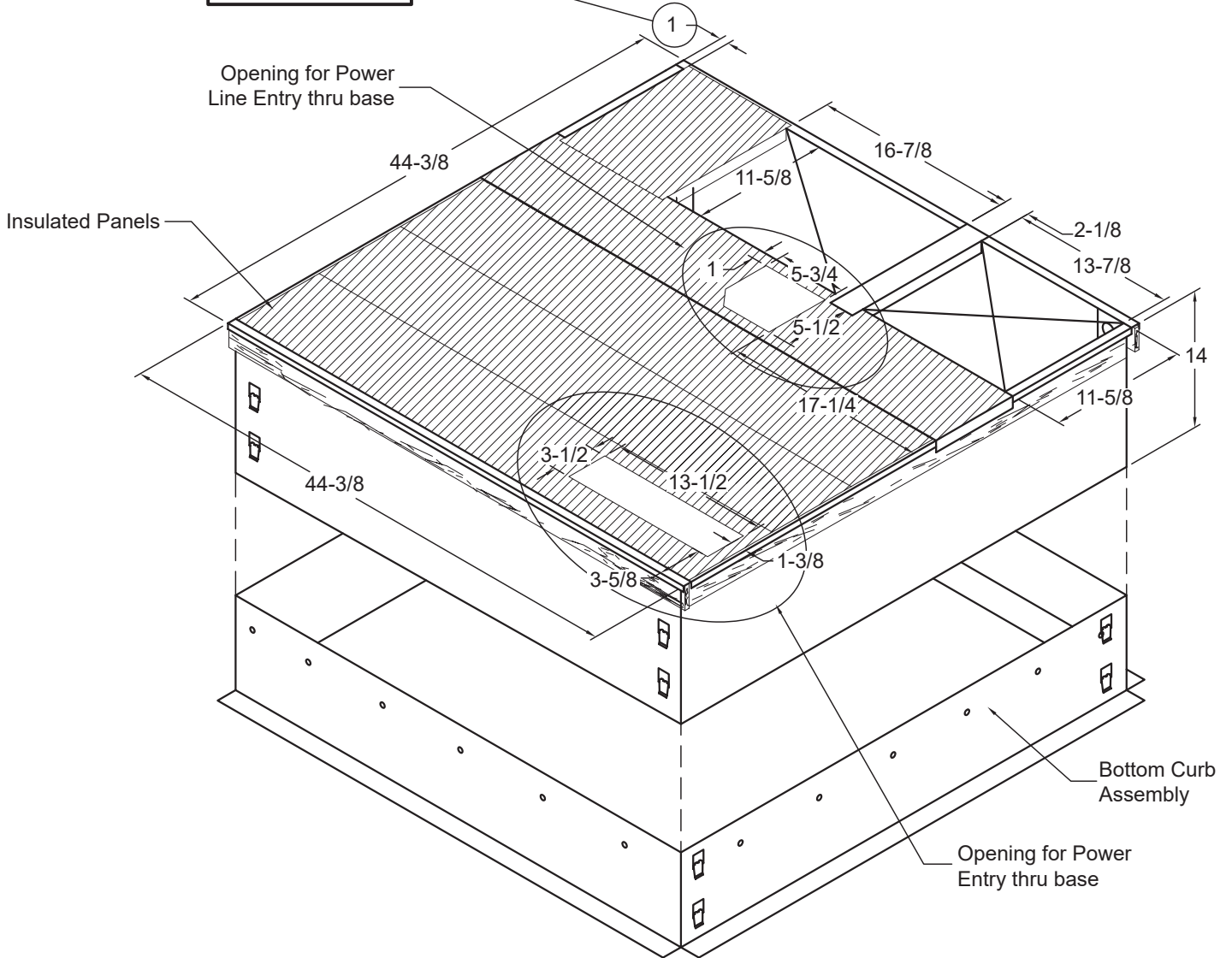
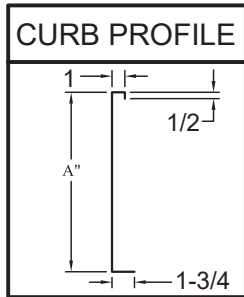


NOTE - Roof deck may be omitted within confines of curb.

ADJUSTABLE CURB DIMENSIONS - SMALL BASE

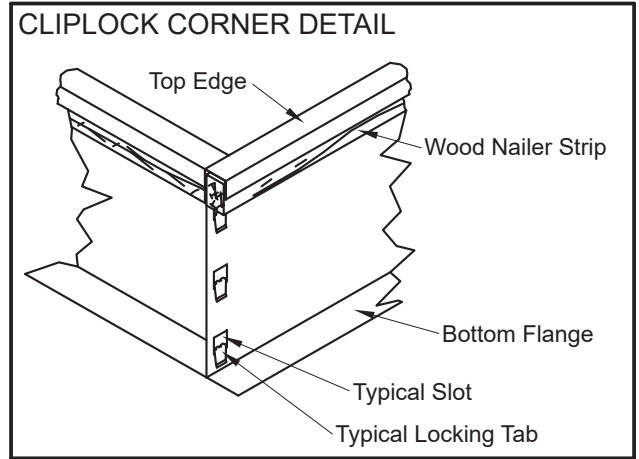


NOTE: See Cliplock 1000 installation instructions for complete assembly and installation procedures and requirements.

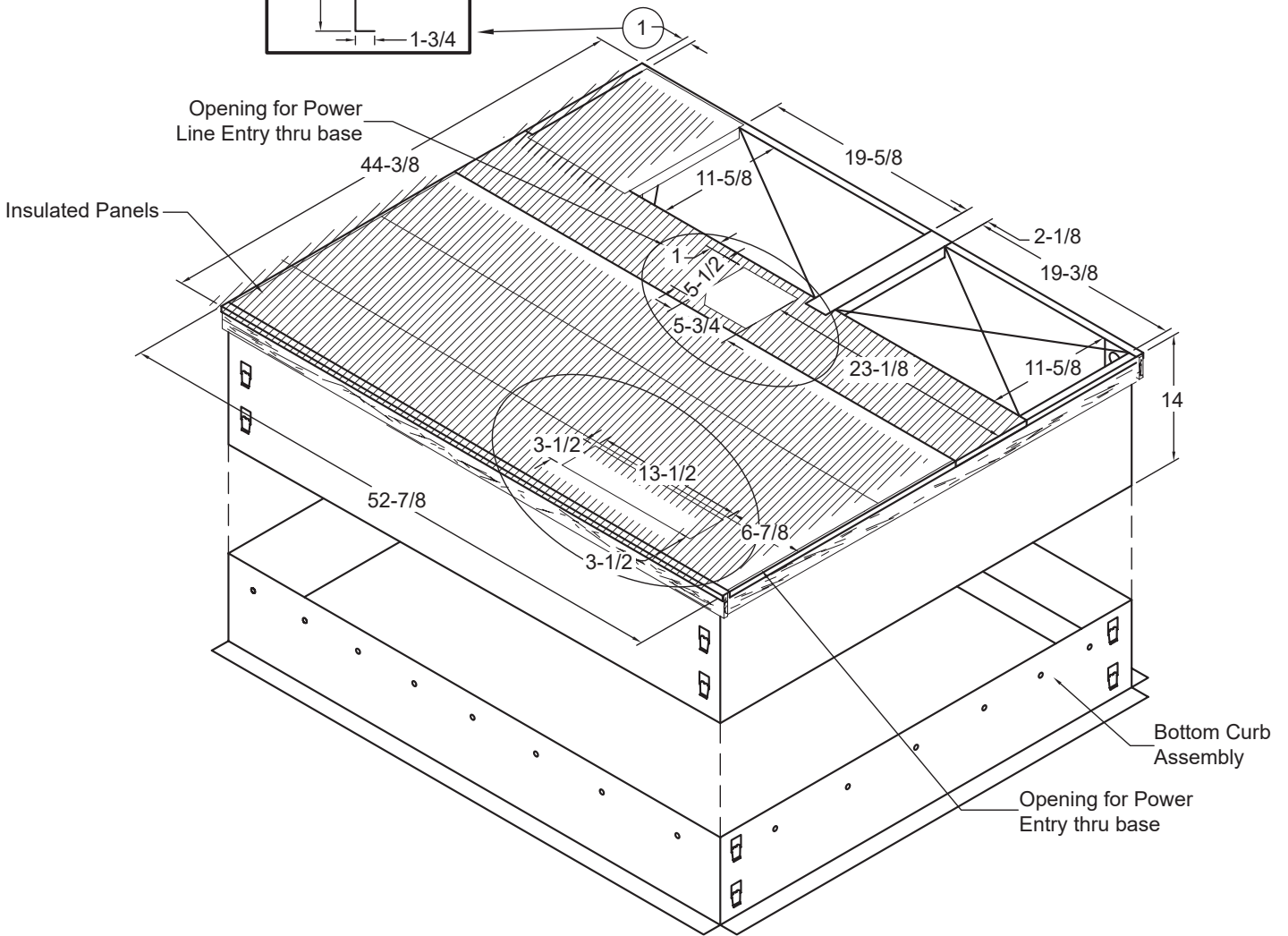
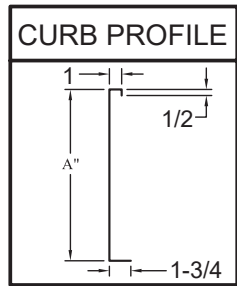


NOTE - Roof deck may be omitted within confines of curb.

ADJUSTABLE CURB DIMENSIONS - LARGE BASE



NOTE: See Cliplock 1000 installation instructions for complete assembly and installation procedures and requirements.



NOTE - Roof deck may be omitted within confines of curb.

ACCESSORIES

Description	Where Used	Kit Number
Electric Heater 5KW	All	MHK05P
Electric Heater 7.5KW	All	MHK07P
Electric Heater 10KW	All	MHK10P
Electric Heater 15KW	30, 36, 42, 48, 60	MHK15P
Electric Heater 20KW	42, 48, 60	MHK20P



For MRCOOL customer service or tech support please call: 1-(270)-366-0457

All specifications and illustrations subject to change without notice and without incurring obligations.